

# BEST STRETCHER BAR DISPLAYS

## Why BEST bars?

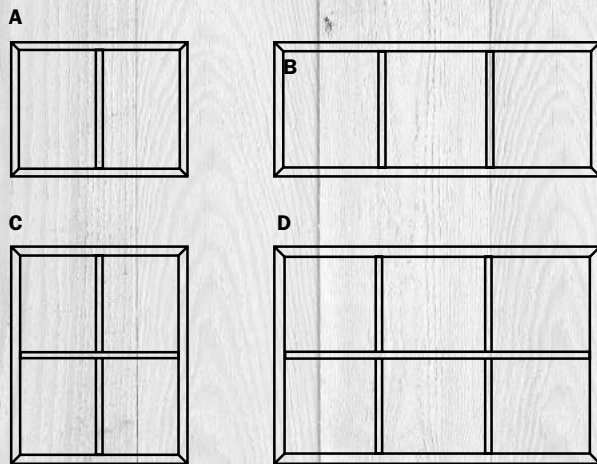
Jack Richeson & Co. offers the finest stretcher bars. We are dedicated to ensuring you receive a consistent, quality product that is always in stock with on-time shipments and superior customer service.

- Museum-quality bars
- Made from only the finest raw materials
- Bars must be free from knots and completely straight
- Heavy-Duty and Medium-Duty bars are designed so that the canvas is 1/2" from the bar. Lightweight has 3/8" profile
- Profile eliminates "ghosting" on the canvas
- Rounded back edges reduce surface friction, allowing for a smoother, tighter draw of the canvas
- Standard bars are cut 1/8" short to comply with industry standard

### Ordering Custom Bars

- Order stretcher bars in fractional inches. Example of custom size: 56" exact by 72-5/8" exact
- Allow 3 working days in factory on custom orders of 1 - 5 frames
- Allow 5 working days in factory on 6 frames and up
- Jack Richeson & Co., Inc. recommends a cross brace every 36"

When ordering cross braces, please include line drawing of layout desired as shown below.



Designs with overlapping cross braces require notching of the bars at each intersection. A notching charge applies to each groove cut (Item #894501). **Contact the JRC sales department for a quote at 920.738.0744.**



### BEST Stretcher Bar Displays

- Perfect for stores and galleries with limited space
- Place two displays back to back and offer your customers more options
- Bars are held firmly in place in specially designed egg crate openings

**NUMBER 890993 LIGHT-DUTY ROLLING BAR ASSORT.**  
**NUMBER 890994 MED-DUTY ROLLING BAR ASSORT.**  
**NUMBER 890995 HEAVY-DUTY ROLLING BAR ASSORT.**  
**NUMBER 890999 PRO-BAR ROLLING BAR ASSORT.**

Please call for assortment contents.



**BEST**  
Stretcher Bars

- Finger spliced for extra stability and less warping.
- Raised edges for extra clearance under canvas.
- Precision cut angles for infallible corners.
- Made from kiln-dried pine.

**890992 GALLERY WRAP EMPTY RACK**

**890996 LDSB EMPTY RACK WITH BACKBOARD**

52" (w) x 84" (h - backboard) x 27" (d)

**890998 HDSB EMPTY RACK WITH BACKBOARD**

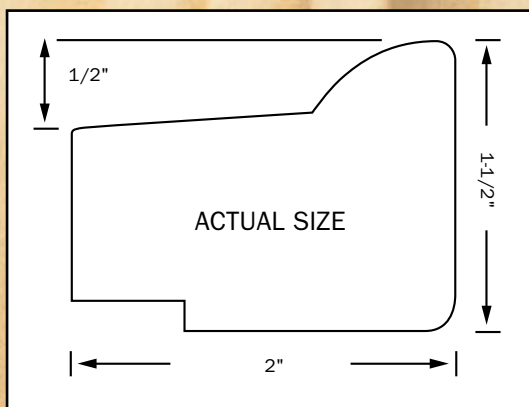
63" (w) x 85" (h - backboard) x 27" (d)

**890999 ALUMINUM EMPTY RACK WITH BACKBOARD**

55" (w) x 55" (h) x 27" (d)

# BEST HEAVY-DUTY STRETCHER BARS

**Museum-quality  
stretcher bars  
for the professional**



Cross-section of Heavy-duty Stretcher Bar.

*Box quantity waived for special orders!*

**NOTE: ALL SIZES NOT LISTED. LIST AVAILABLE  
UPON REQUEST. NEED FRACTIONAL SIZES?  
CALL 1-800-233-2404 FOR MORE INFORMATION.**

## Heavy-duty Stretcher Bars

The Heavy-duty bar is made of pine that has been finger-spliced – a method of bonding pieces of lumber together to form a very long, straight bar. Since the finger-spliced joints are actually stronger than the natural wood, we can now get longer, stronger and straighter bars. First designed for the construction industry, this high tech method yields better bars than ever before. *Sizes under 60" sold in quantity of 6 only.*

## Heavy-duty Bars (Box of 6)

NUMBER	SIZE	NUMBER	SIZE	NUMBER	SIZE
890001	8"	890009	24"	890027	44"
890050	9"	890010	25"	890028	46"
890002	10"	890011	26"	890029	48"
890051	11"	890012	27"	890030	50"
890003	12"	890013	28"	890031	52"
890065	13"	890014	29"	890032	54"
890004	14"	890015	30"	890033	56"
890066	15"	890016	31"	890034	58"
890005	16"	890017	32"	890035	60"
890052	17"	890018	33"	890038	72"
890006	18"	890019	34"	890041	84"
890053	19"	890020	35"	890044	96"
890007	20"	890021	36"	890046	108"
890067	21"	890023	38"	890047	120"
890008	22"	890025	40"	890228	132"
890068	23"	890026	42"	890082	144"

## Heavy-duty Cross Braces

NUMBER	SIZE	NUMBER	SIZE	NUMBER	SIZE
891001	8"	891024	39"	891055	74"
891067	9"	891025	40"	891039	76"
891002	10"	891075	41"	891058	78"
891068	11"	891026	42"	891040	80"
891003	12"	891076	43"	891060	82"
891069	13"	891027	44"	891041	84"
891004	14"	891077	45"	891062	86"
891070	15"	891028	46"	891042	88"
891005	16"	891078	47"	891056	90"
891071	17"	891029	48"	891043	92"
891006	18"	891059	49"	891106	94"
891072	19"	891030	50"	891044	96"
891007	20"	891080	51"	891096	98"
891073	21"	891031	52"	891057	100"
891008	22"	891065	53"	891045	102"
891074	23"	891032	54"	891063	104"
891009	24"	891064	55"	891112	106"
891010	25"	891033	56"	891046	108"
891011	26"	891053	57"	891048	110"
891012	27"	891034	58"	891117	112"
891013	28"	891084	59"	891119	114"
891014	29"	891035	60"	891121	116"
891015	30"	891085	61"	891123	118"
891016	31"	891050	62"	891047	120"
891017	32"	891091	63"	891148	122"
891018	33"	891036	64"	891124	124"
891019	34"	891086	65"	891126	126"
891020	35"	891037	66"	891132	128"
891021	36"	891054	68"	891136	132"
891022	37"	891052	70"	891144	140"
891023	38"	891038	72"	891092	144"

# BEST MEDIUM & LIGHT DUTY STRETCHER BARS

## Medium-duty and Light-duty Stretcher Bars

The medium-duty and light-duty bars are manufactured from pine. Light-duty bars are ideal for small paintings and can fit within the rabbets of most decorative picture frames. The Medium Duty is a nice alternative for a gallery wrap and larger paintings.

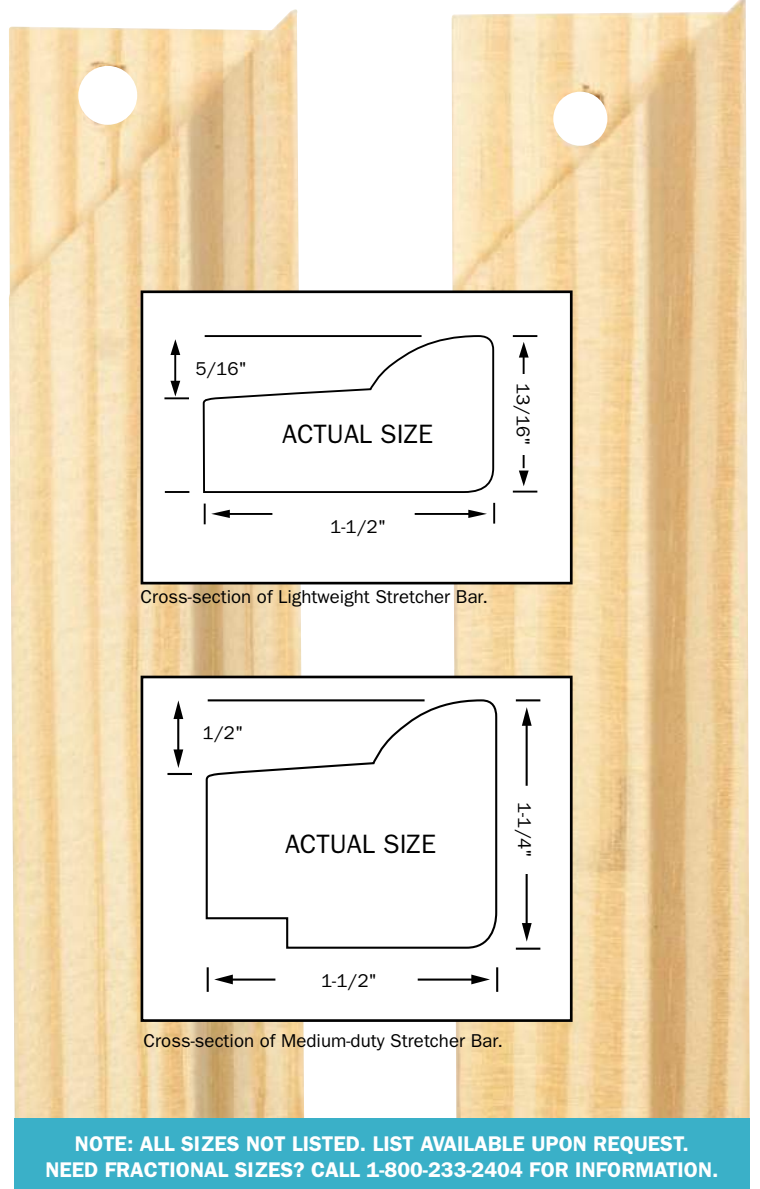
### Medium-duty Bars (Box of 12)

NUMBER	SIZE	NUMBER	SIZE	NUMBER	SIZE
890101	8"	890108	22"	890121	36"
890150	9"	890147	23"	890123	38"
890102	10"	890109	24"	890125	40"
890151	11"	890110	25"	890126	42"
890103	12"	890111	26"	890127	44"
890143	13"	890112	27"	890128	46"
890104	14"	890113	28"	890129	48"
890144	15"	890114	29"	890130	50"
890105	16"	890115	30"	890131	52"
890142	17"	890116	31"	890132	54"
890106	18"	890117	32"	890133	56"
890145	19"	890118	33"	890134	58"
890107	20"	890119	34"	890135	60"
890146	21"	890120	35"	890138	72"

\*Not available over 72"

### Medium-duty Cross Braces

NUMBER	SIZE	NUMBER	SIZE	NUMBER	SIZE
892008	8"	892028	28"	892048	48"
892009	9"	892029	29"	892049	49"
892010	10"	892030	30"	892050	50"
892011	11"	892031	31"	892051	51"
892012	12"	892032	32"	892052	52"
892013	13"	892033	33"	892053	53"
892014	14"	892034	34"	892054	54"
892015	15"	892035	35"	892055	55"
892016	16"	892036	36"	892056	56"
892017	17"	892037	37"	892057	57"
892018	18"	892038	38"	892058	58"
892019	19"	892039	39"	892060	60"
892020	20"	892040	40"	892061	61"
892021	21"	892041	41"	892062	62"
892022	22"	892042	42"	892063	63"
892023	23"	892043	43"	892064	64"
892024	24"	892044	44"	892066	66"
892025	25"	892045	45"	892068	68"
892026	26"	892046	46"	892070	70"
892027	27"	892047	47"	892072	72"



Cross-section of Lightweight Stretcher Bar.

Cross-section of Medium-duty Stretcher Bar.

**NOTE: ALL SIZES NOT LISTED. LIST AVAILABLE UPON REQUEST. NEED FRACTIONAL SIZES? CALL 1-800-233-2404 FOR INFORMATION.**

### Light-duty Bars\* (Box of 12)

NUMBER	SIZE	NUMBER	SIZE	NUMBER	SIZE
894001	8"	894015	22"	894029	36"
894002	9"	894016	23"	894031	38"
894003	10"	894017	24"	894033	40"
894004	11"	894018	25"	894035	42"
894005	12"	894019	26"	894036	44"
894006	13"	894020	27"	894037	46"
894007	14"	894021	28"	894038	48"
894008	15"	894022	29"	894039	50"
894009	16"	894023	30"	894043	52"
894010	17"	894024	31"	894040	54"
894011	18"	894025	32"	894044	56"
894012	19"	894026	33"	894041	58"
894013	20"	894027	34"	894042	60"
894014	21"	894028	35"		

\*Not available over 60"

### Light-duty Cross Braces

NUMBER	SIZE	NUMBER	SIZE	NUMBER	SIZE
897008	8"	897022	22"	897036	36"
897009	9"	897023	23"	897038	38"
897010	10"	897024	24"	897040	40"
897011	11"	897025	25"	897042	42"
897012	12"	897026	26"	897044	44"
897013	13"	897027	27"	897046	46"
897014	14"	897028	28"	897048	48"
897015	15"	897029	29"	897050	50"
897016	16"	897030	30"	897052	52"
897017	17"	897031	31"	897054	54"
897018	18"	897032	32"	897056	56"
897019	19"	897033	33"	897058	58"
897020	20"	897034	34"	897060	60"
897021	21"	897035	35"		

# BEST ALUMINUM STRETCHER BARS

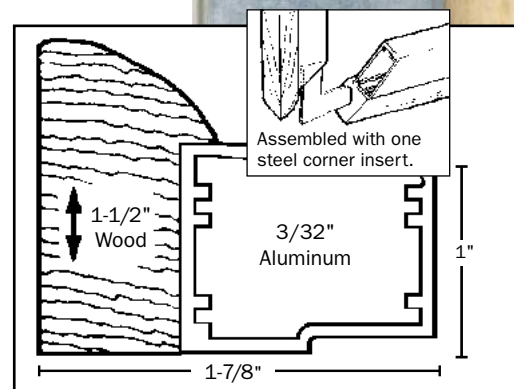
## Aluminum Pro-Bar Stretcher (Box of 6) Sizes under 60" sold in quantity of 6 only.

Kiln-dried pine is connected to a specially milled 3/8" aluminum bar. Paintings will never twist, warp, bend or change due to dryness or humidity. The recycled aluminum stock provides a structural frame of total strength and stability. The pine outer bar offers a smooth, rounded edge and a solid surface for stapling. Pro-Bars start at 8" and can be cut to 144" and beyond. Must be assembled with aluminum corner inserts (item 895020-04).

NUMBER	SIZE	NUMBER	SIZE	NUMBER	SIZE	NUMBER	SIZE	NUMBER	SIZE
893002	8"	893011	18"	893021	28"	893033	40"	893041	58"
893010	9"	893024	19"	893076	29"	893035	42"	893042	60"
893003	10"	893013	20"	893023	30"	893068	43"	893046	72"
893012	11"	893075	21"	893016	31"	893036	44"	893047	84"
893005	12"	893015	22"	893025	32"	893037	46"	893048	96"
893006	13"	893083	23"	893058	33"	893038	48"	893057	108"
893007	14"	893017	24"	893027	34"	893039	50"	893054	120"
893085	15"	893074	25"	893018	35"	893061	52"	893132	132"
893009	16"	893019	26"	893029	36"	893040	54"	893087	144"
893014	17"	893084	27"	893031	38"	893079	56"		

## Aluminum Pro-Bar Cross Braces

NUMBER	SIZE	NUMBER	SIZE	NUMBER	SIZE	NUMBER	SIZE
898008	8"	898021	21"	898034	34"	898056	56"
898009	9"	898022	22"	898035	35"	898058	58"
898010	10"	898023	23"	898036	36"	898060	60"
898011	11"	898024	24"	898038	38"	898072	72"
898012	12"	898025	25"	898040	40"	898084	84"
898013	13"	898026	26"	898042	42"	898096	96"
898014	14"	898027	27"	898043	43"	898108	108"
898015	15"	898028	28"	898044	44"	898120	120"
898016	16"	898029	29"	898046	46"	898132	132"
898017	17"	898030	30"	898048	48"	898144	144"
898018	18"	898031	31"	898050	50"		
898019	19"	898032	32"	898052	52"		
898020	20"	898033	33"	898054	54"		



Cross-section of warp-resistant Pro-Bar frame.

**NOTE: ALL SIZES NOT LISTED. LIST AVAILABLE UPON REQUEST. NEED FRACTIONAL SIZES? CALL 1-800-233-2404 FOR INFORMATION.**

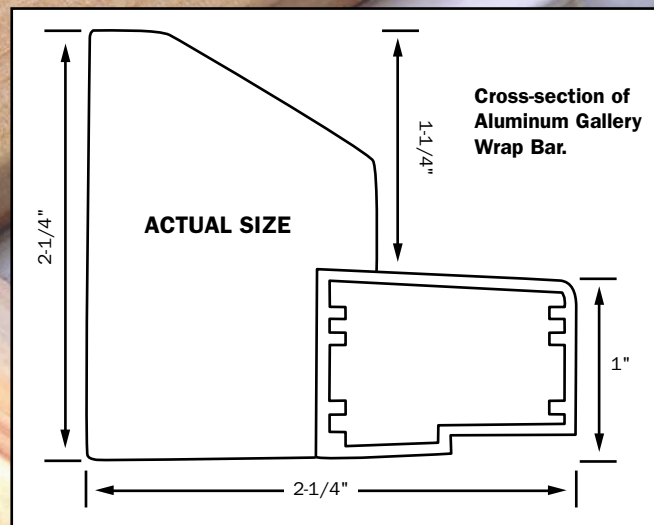
## Aluminum Gallery Wrap Stretcher Bars (Box of 6)

Aluminum Gallery Wrap stretcher bars are so beautiful, they don't even need a canvas! The 2.25" profile gives any canvased picture the depth it needs to come alive on a wall.

NUMBER	SIZE	NUMBER	SIZE	NUMBER	SIZE	NUMBER	SIZE
896008	8"	896028	28"	896046	46"	896078	78"
896010	10"	896030	30"	896048	48"	896080	80"
896012	12"	896032	32"	896050	50"	896084	84"
896014	14"	896034	34"	896054	54"	896090	90"
896016	16"	896036	36"	896056	56"	896096	96"
896018	18"	896038	38"	896060	60"	896108	108"
896020	20"	896040	40"	896064	64"	896120	120"
896024	24"	896042	42"	896066	66"		
896025	25"	896044	44"	896072	72"		

## Gallery Wrap Cross Braces

NUMBER	SIZE	NUMBER	SIZE	NUMBER	SIZE
899008	8"	899028	28"	899046	46"
899010	10"	899030	30"	899048	48"
899012	12"	899032	32"	899050	50"
899014	14"	899034	34"	899054	54"
899016	16"	899036	36"	899056	56"
899018	18"	899038	38"	899060	60"
899020	20"	899040	40"	899064	64"
899024	24"	899042	42"	899066	66"
899025	25"	899044	44"	899072	72"



**NOTE: ALL SIZES NOT LISTED. LIST AVAILABLE UPON REQUEST. NEED FRACTIONAL SIZES? CALL 1-800-233-2404 FOR INFORMATION.**

# BEST ALUMINUM HD STRETCHER BARS

The original HD bar with added aluminum for maximum strength

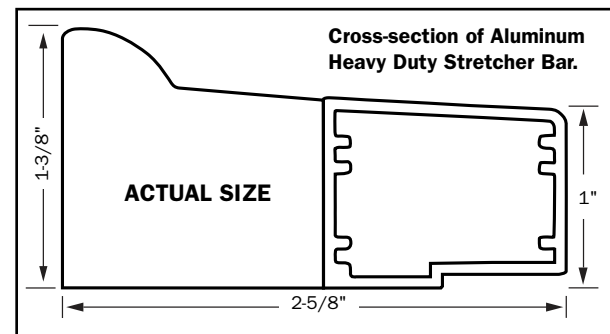
## Aluminum HD Stretcher Bar (Box of 6)

The BEST Aluminum HD Stretcher Bar offers strength, stability, long length capability, and a larger stapling area. It gives you a full 1-3/8" area to staple on the back. We developed the Aluminum HD from combining our ever popular Heavy Duty stretcher bar with the Aluminum Pro. Signature rounded profile allows the canvas to drape over the front eliminating "ghosting."

NUMBER	SIZE	NUMBER	SIZE	NUMBER	SIZE	NUMBER	SIZE
884008	8"	884017	17"	884026	26"	884036	36"
884009	9"	884018	18"	884027	27"	884038	38"
884010	10"	884019	19"	884028	28"	884040	40"
884011	11"	884020	20"	884029	29"	884060	60"
884012	12"	884021	21"	884030	30"	884084	84"
884013	13"	884022	22"	884031	31"	884090	90"
884014	14"	884023	23"	884032	32"	884096	96"
884015	15"	884024	24"	884033	33"		
884016	16"	884025	25"	884034	34"		

TO ORDER ALUMINUM HD CROSS BRACES, ORDER AS: SPECIAL CROSS BRACE FOR ALUM HD STRETCHER BAR AND GIVE US THE SIZE IN INCHES.

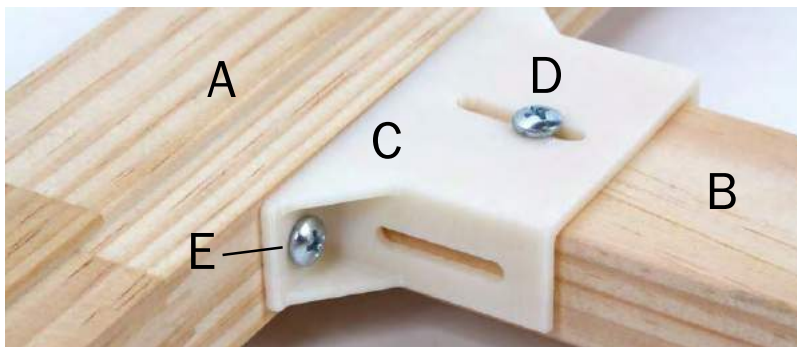
NOTE: ALL SIZES NOT LISTED. LIST AVAILABLE UPON REQUEST. NEED FRACTIONAL SIZES? CALL 1-800-233-2404 FOR MORE INFORMATION.



## BEST Cross Brace Bracket

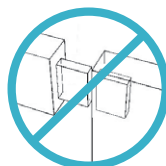
- State-of-the-art design works with all sizes of bars
  - Slotted design allows for finest adjustment of canvas tension
  - Allows bar frame to sit flat against a wall
  - We recommend cross braces for canvas over 36"
  - Contains 2 brackets/screws
  - One unit ships free with each cross brace.
- Additional brackets available for extra cost.

NUMBER 895015



### How to assemble the Cross Brace Bracket

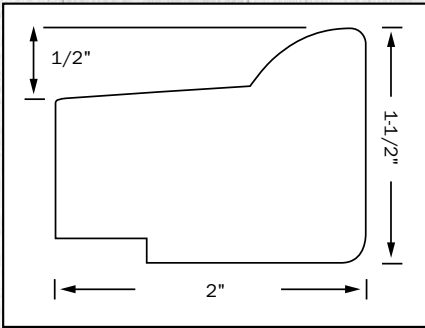
- STEP 1** Assemble your stretcher bars (A).
- STEP 2** Lay your cross braces into position.
- STEP 3** Place your Richeson Cross Brace Bracket (C) #895015 at the end of your Cross Braces (B).
- STEP 4** Attach bracket (C) to brace (B) with 1 to 3 screws (D) as desired. Do not overtighten.
- STEP 5** Attach bracket (C) to pre-assembled frame from step 1 with 2 screws (E).
- STEP 6** After canvas is tightly stretched, apply light pressure to brace and secure screw (D).



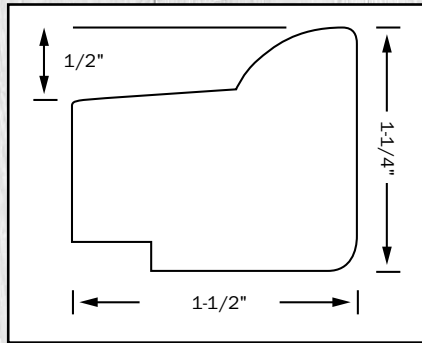
**Eliminates the need for costly tenon joints!**



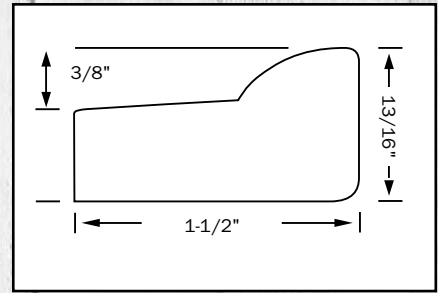
# LINEAR STOCK



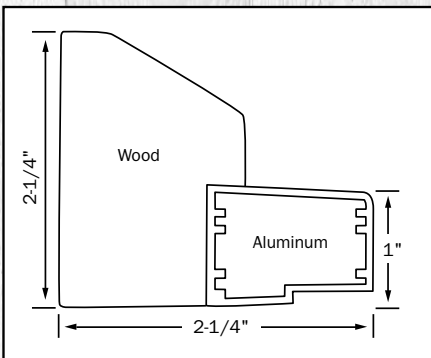
Cross-section of Heavy-duty Stretcher.  
**#899400 HEAVY DUTY Linear Stock**  
 8', 10', 12' Lengths



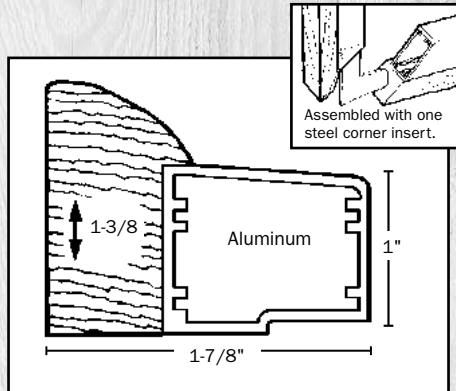
Cross-section of Medium-duty Stretcher.  
**#890700 MEDIUM DUTY Linear Stock**  
 8', 10', 12' Lengths



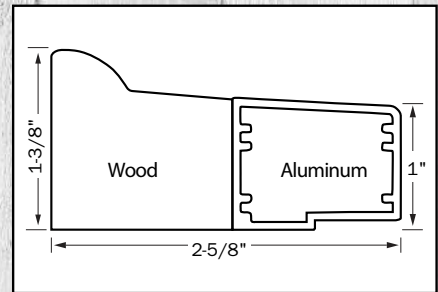
Cross-section of Lightweight Stretcher.  
**#894400 LIGHT DUTY Linear Stock**  
 8', 10', 12' Lengths



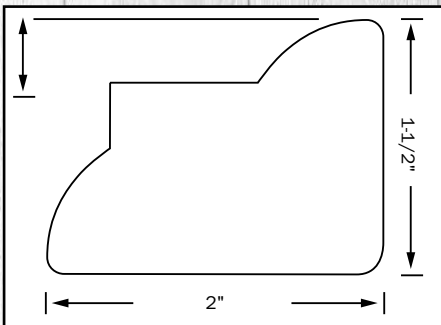
Cross-section of Aluminum Gallery Wrap.  
**#896000 ALUMINUM GALLERY WRAP Linear Stock**  
 8', 10', 12' Lengths



Cross-section of Aluminum Pro.  
**#893500 ALUMINUM PRO Linear Stock**  
 8', 10', 12' Lengths



Cross-section of Aluminum HD.  
**#884190 ALUMINUM HD Linear Stock**  
 8', 10', 12' Lengths



Cross-section of Heavy Duty Double Profile.  
**#899401 HD DOUBLE PROFILE BAR Linear Stock**  
 12' Lengths only. Will cut length to ship.  
 Two bars in one!  
 Same great quality  
 Same high rounded profile

## Splice Kits & Lap Joints

### Splice Kits & Lap Joints

*An oversized frame does not have to mean high shipping costs!*

JRC has developed a Splice Kit (SK) for aluminum bars that will allow you to have extra long lengths but enable you to ship reasonably. Each aluminum bar requires two splice kits for strength and stability. It does not affect the integrity of the bar.

Lap Joints (SKBR) are used for cross braces. Placement is at the manufacturer's discretion. You can request that the holes be predrilled with assembly instructions for a set up charge (SET). Cost is determined by size of the frame.

**Contact your sales representative for more details.**



# STRETCHING ACCESSORIES



## A. Professional Canvas Pliers

Strong! Durable! Lightweight! This professional canvas pliers is large with 4 1/2" wide jaws with rubberized inside grip to hold canvas firmly without marring it.

**NUMBER 400302**

## Canvas Pliers

Great for smaller canvases! These durable imported stretching pliers have serrated jaws for a secure grip to create an even, uniform stretching over stretcher strips or bars.

### NUMBER DESCRIPTION

- B. 400300 Cast Iron Pliers
- C. 400301 Chrome Finish Pliers

## Stretching Stapler

~~This steel, heavy duty stapler has an ergonomic design and lock function. Works well on all the BEST stretcher bars.~~

### NUMBER DESCRIPTION

- D. 895002 BEST stapler
- 895003 BEST staples (5000/box)

## Richeson Aluminum Pro Bar Assembly Kit

Contents:  
8 Aluminum Corners  
8 - (16mm) 5/8" Screws  
4 - BEST Corner Keys

**NUMBER 893998**

*Easy instructions included.*

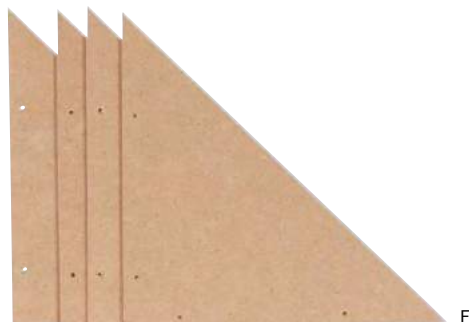


Corner Keys shown in use

## E. BEST Corner Keys

Each pack contains a set of four keys that can be used on wood stretcher bar frames and Aluminum Pro Bars. Mount keys by using the pre-drilled holes on the Aluminum Pro Bars or by making your own with a 3/32" drill bit. The BEST keys are an essential tool for adjusting the tension of the canvas material just by the turn of a nut!

**NUMBER 890048** \*Required for Aluminum Bars



## F. Hardboard Corners

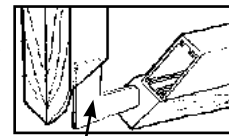
A simple but worthwhile accessory. These corners are an exact 90° angle to ensure that frame corners will remain square. The pre-drilled holes make mounting easy. Just screw one hardboard panel to each of the four corners of the frame. Sold in packs of 4. \*Screws not included.

### NUMBER DESCRIPTION

- 895007-04 8" Corners for small paintings
- 895008-04 12" Corners for large paintings

## Aluminum Corners\*

These steel corner inserts are only to be used with the BEST Aluminum Bars. Use 1 pack (4 corners) for small frames and two packs for heavy pieces or frames over 36" in length. Sold in packs of 4.



Aluminum Corner

**NUMBER 895020-04** \*Required for Aluminum Bars

# CANVAS STRETCHING 101



## BEST Stretcher Bars by Richeson

### Helpful Tools

Rubber mallet  
Stapler  
Scissors  
Canvas Pliers  
Awl  
Screwdriver

Recommended: Hardboard Corners, BEST Keys (not included)



1. Start by stapling the middle of one side of stretcher bar; repeat on opposite side, pulling taut. Do the same for the other sides, always pulling the canvas taut.



2. Continue stapling working from the center to the corners making sure the staple spacing is even.



3. Please note, do not staple the canvas to the end of corners because you need enough room to manipulate the canvas for tucking the corners. Leave 1"-2".



4. BASIC CUT  
Trim the corners of excess canvas to eliminate bumps when you make a corner. Cut the "dog ear" on an angle.



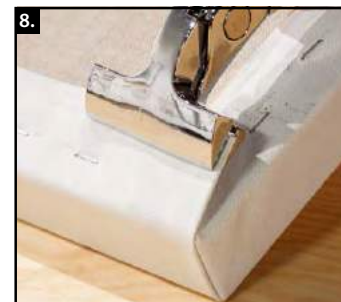
5. ALT. CUT



6. Begin your corner by folding the canvas straight along the front, fold the side canvas over the top.



7. Bend the first fold over the top of the side fold. Make sure corner lines are neat.



8. Optional: You can use canvas pliers to get the corner tight and flat.



9. Finish stapling.  
*Following steps are optional.*



Wood keys are tapped in the interior corner slots to adjust the tension of the canvas. Place a dab of wood glue on end to hold in place. Take care not to damage canvas.



Some companies staple the corners. If you happen to get a canvas back that is sagging, you can use our BEST Corner Keys to remedy the problem. It's as easy as a turn of a nut! The Best Corner Key can be used on standard stretcher bars and our exclusive Aluminum Bars. If you staple, underpin, or glue your corners, this will break the seal to open the corners up to 1/8". Save time and money by not having to re-stretch the canvas, use BEST Keys!

